

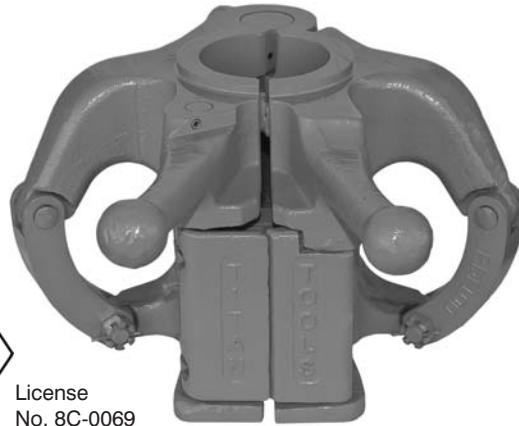
TITAN TUBING ELEVATOR

TITAN TUBING ELEVATORS are constructed of high-quality alloy steel and heat-treated for maximum strength and durability. Each elevator is manufactured and tested to API 8C. In addition, the load collar is flame hardened for increased abrasion resistance.

All TITAN Tubing Elevators are equipped with a double locking retainer assembly for maximum safety.



License
No. 8C-0069



CATALOG NO.	TUBING SIZE	WEIGHT	RATED LOAD
TEA035-238N	2-3/8" Non-Upset	53 lbs.	35 tons
TEA035-238U	2-3/8" External Upset	53 lbs.	35 tons
TEA035-278N	2-7/8" Non-Upset	52 lbs.	35 tons
TEA035-278U	2-7/8" External Upset	52 lbs.	35 tons
TEA100-238N	2-3/8" Non-Upset	116 lbs.	100 tons
TEA100-238U	2-3/8" External Upset	116 lbs.	100 tons
TEA100-278N	2-7/8" Non-Upset	114 lbs.	100 tons
TEA100-278U	2-7/8" External Upset	114 lbs.	100 tons
TEA100-312N	3-1/2" Non-Upset	112 lbs.	100 tons
TEA100-312U	3-1/2" External Upset	112 lbs.	100 tons

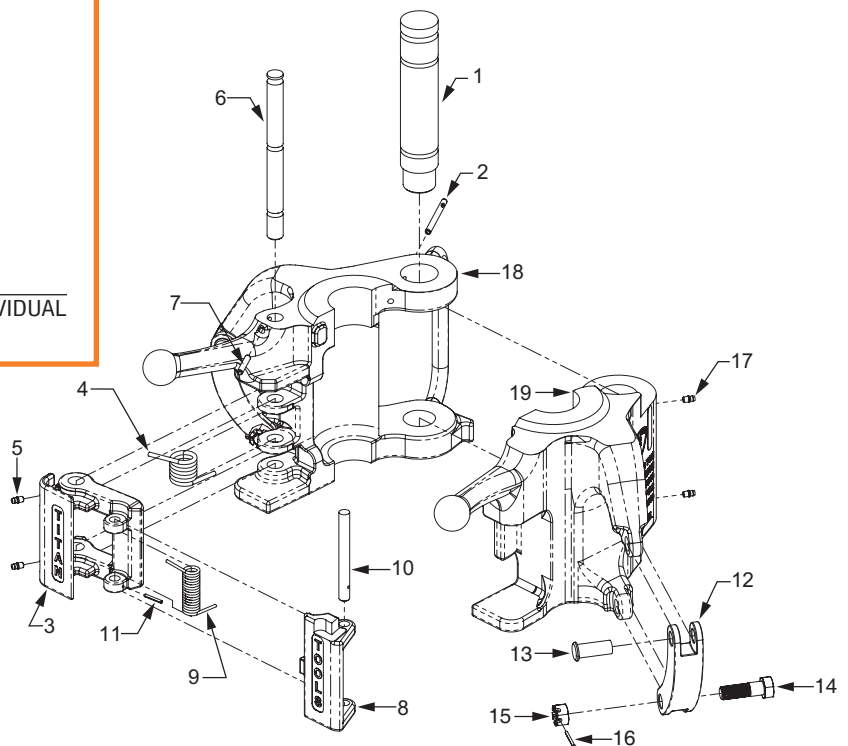


WARNING! Improper use of tubing elevators may result in INJURY OR DEATH!
Do Not Exceed Rated Load!
Follow safe practices listed in Data Book.



KEY NO.	ITEM DESCRIPTION	NO. REQ'D.
1,2	HINGE PIN W / SPRING PIN	1
3	RETAINER	1
4	RETAINER SPRING	1
5	RETAINER GREASE FITTING	2
6,7	RETAINER PIN W / SPRING PIN	1
8	LOCK	1
9	LOCK SPRING	1
10,11	LOCK PIN W / SPRING PIN	1
12	TIE BAR	2
13	TIE BAR RIVET	2
14,15,16	TIE BAR BOLT, NUT & COTTER	2
17	RIGHT BODY GREASE FITTING	2
18	LEFT BODY*	1
19	RIGHT BODY*	1

*KEY NOS. 18 AND 19 ARE NOT AVAILABLE AS INDIVIDUAL COMPONENTS.



PETOL SUCKEROD ELEVATOR

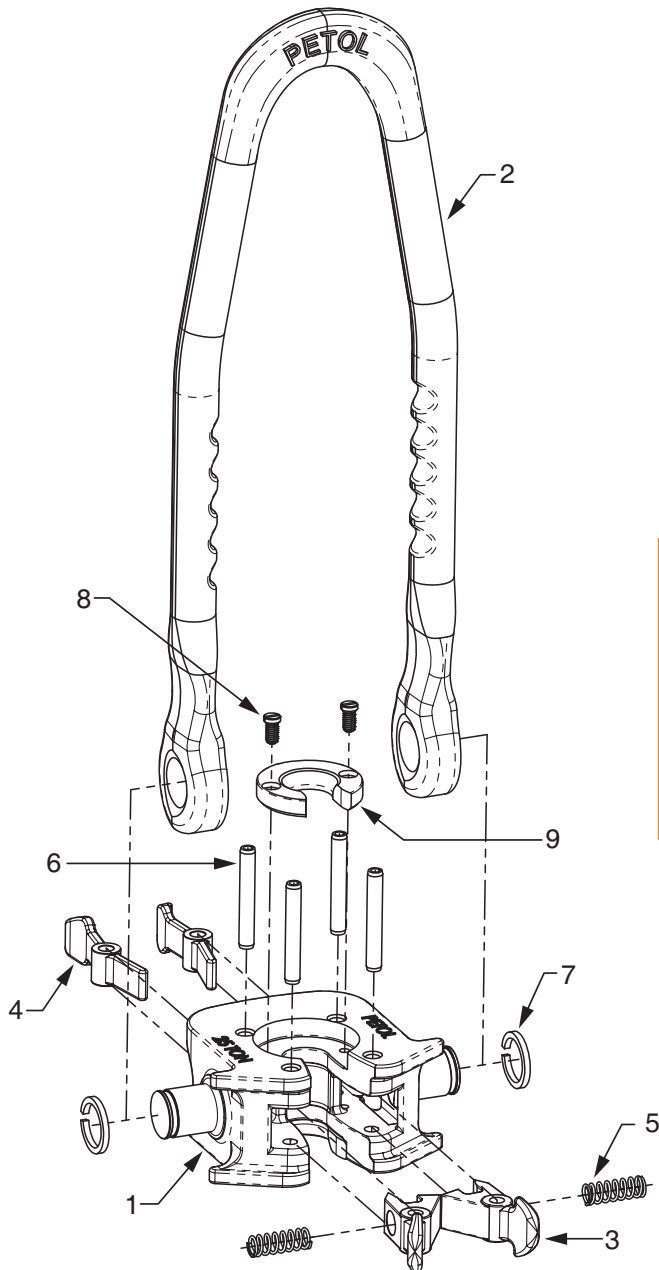
PETOL SUCKEROD ELEVATORS are manufactured to the highest standards of quality. These plate-type elevators are made from heat-treated alloy steel for strength and durability and are rated for 25 tons.

CATALOG NO.	ROD SIZE	WEIGHT	RATED LOAD
REA025	(see plates below)	30 lbs.	25 tons
PLATE INSERTS			
REI025-058	5/8", 3/4"	8 ozs.	---
REI025-034	3/4", 7/8"	8 ozs.	---
REI025-100	1"	8 ozs.	---

Note: Plate Inserts are sold separate from Rod Elevator.



WARNING! Improper use of sucker rod elevators may result in INJURY OR DEATH!
Do Not Exceed Rated Load of 25 Tons!
Follow safe practices listed in Data Book.



KEY NO.	ITEM DESCRIPTION	NO. REQ'D.
1	BODY	1
2	HANDLE	1
3	FRONT LATCH	2
4	REAR LATCH	2
5	SPRING	2
6	LATCH PIN	4
7	RETAINING COLLAR	2
8	INSERT SCREW	4
9	PLATE INSERT	2