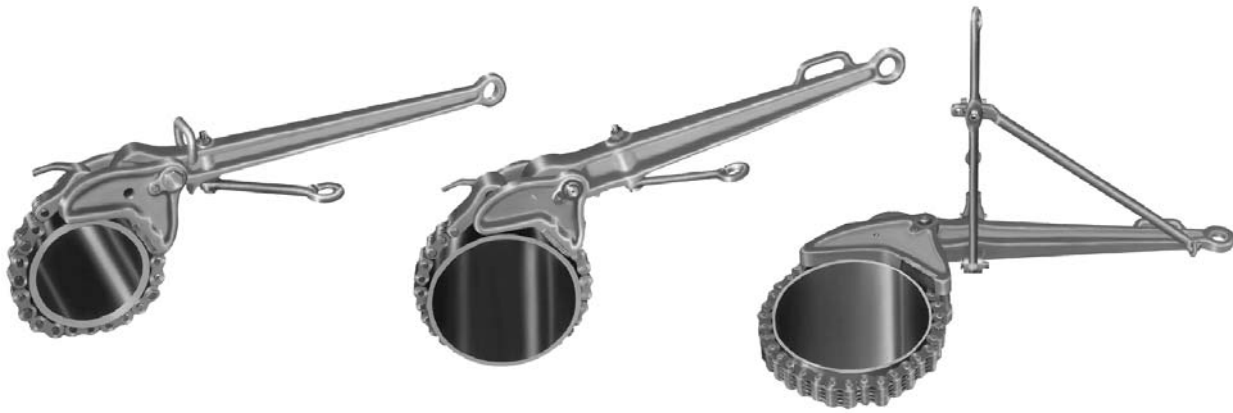


PETOL BULL TONGS



PETOL BULL TONGS are the most versatile tools available for making up or breaking out tool and pipe joints in the shop as well as on the drilling rig. Positive grip, perfect ratcheting, noncrushing and nonjamming features make these tongs the ideal choice for many jobs. This tong grips in the downward motion and ratchets

in the upward motion. The LA16H can be furnished with a 2-2 chain combination for added speed in latching, unlatching, and O.D. adjustment when working with lower torque requirements. The 2-2 chain is standard on the LA155-16.

CATALOG NO.	O.D.*	GRIPPING WIDTH	HANDLE LENGTH**	WEIGHT***	MAXIMUM WORKING LOAD
LA155-16	3-1/2" – 16"	4.38"	32"	67 lbs.	<i>Torques vary according to O.D. See Torque Tables on page 71</i>
LA16H	4" – 16"	6.88"	36"	96 lbs.	
LA116-C09	6" – 17"	7.55"	9"	95 lbs.	
LA116-C18	6" – 17"	7.55"	18"	124 lbs.	
LA116-23	6" – 17"	7.55"	23"	118 lbs.	
LA116-28	6" – 17"	7.55"	28"	126 lbs.	
LA116	5" – 17"	7.55"	36"	133 lbs.	
LA120	6" – 22"	10.00"	72"	376 lbs.	
LA116H	16" – 40"	7.63"	36"	218 lbs.	
LA116HX	30-1/8" – 65-7/8"	7.56"	36"	238 lbs.	

* CHAIN ASSEMBLIES MUST BE ORDERED SEPARATELY. SEE CHAIN SELECTION GUIDE ON PAGES 76-78.

** CALL FACTORY FOR TORQUE ARM LENGTHS.

*** WEIGHTS DO NOT INCLUDE CHAIN.

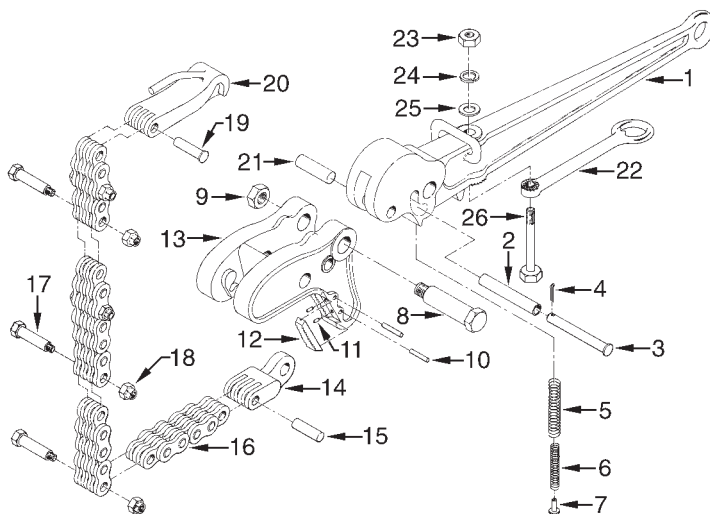
WARNING!

Do Not Exceed Maximum Working Load.
Overloading may result in injury or death.

Always use a load cell or other calibrated indicating device to monitor the line pull on the tong to avoid overload. Read Safe Practices & Procedures Manual prior to operation. Do not operate without a manual.

Follow OSHA, NSC, etc. standards, safe practices, and procedures.

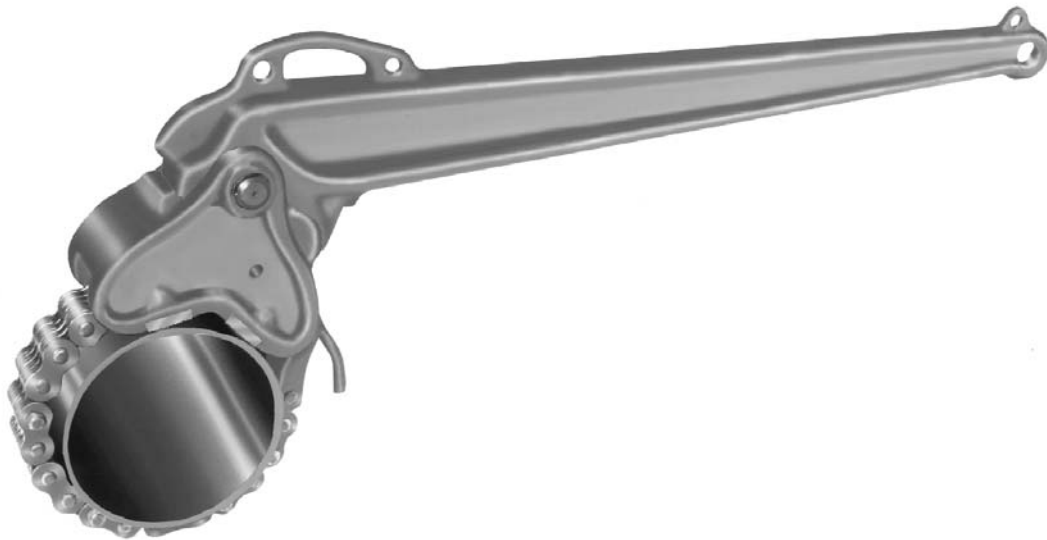
NOTE: SAFE PRACTICES & PROCEDURES MANUAL CAN BE FOUND ON PAGES 1-7 OF THIS CATALOG.



NOTE: PARTS AND / OR NO. REQ'D. MAY VARY SLIGHTLY AMONG SIZES. CALL FACTORY FOR DETAILS.

KEY NO.	ITEM DESCRIPTION	NO. REQ'D.
1	HANDLE	1
2	SPRING PIN BUSHING	1
3,4	SPRING PIN W / COTTER	1
5	SPRING (OUTSIDE)	1
6	SPRING (INSIDE)	1
7	SPRING GUIDE	1
8,9	JAW BOLT & NUT	1
10	INSERT PIN	4
11	INSERT KEY	8
12	INSERT	4
13	JAW	1
14	MASTER LINK	1
15	MASTER LINK CHAIN PIN	1
16	SPECIAL CHAIN ONLY	1
17,18	SPLICE BOLT & NUT	as req'd.
19	CHAIN HOOK PIN	1
20	CHAIN HOOK	1
21	MASTER LINK HANDLE PIN	1
22	HANGER	1
23,24,25,26	HANGER BOLT & NUT ASSEMBLY	1

PETOL BUKUP TONGS



PETOL BUKUP TONGS are designed for use with a pipe machine for “bucking up” and “bucking off” tool joints. Larger sizes may be used for breaking out drill collars, reamers or similar heavy jobs. The wide range of each size of PETOL Bukup Tong reduces to a minimum the tools needed for handling the many sizes of tool

joints. The PETOL Special Chain combinations used with this tong come complete with heavy-duty bolts, which make it possible to change quickly from one O.D. size to another. This tong grips in the upward motion and ratchets in the downward motion.

CATALOG NO.	O.D.*	GRIPPING WIDTH	HANDLE LENGTH	WEIGHT**	MAXIMUM WORKING LOAD
BA115H	2-1/8" – 8"	4.66"	48"	64 lbs.	16,000 ft.-lbs.
BA116	4" – 10"	6.00"	48"	122 lbs.	42,000 ft.-lbs.
BA116H	4-1/4" – 10-3/4"	6.06"	48"	147 lbs.	66,000 ft.-lbs.
BA120	6" – 22"	10.88"	72"	546 lbs.	<i>see Torque Table on page 72</i>

*ASSEMBLIES MUST BE ORDERED SEPARATELY. SEE CHAIN SELECTION GUIDE ON PAGE 75-76.

**WEIGHTS DO NOT INCLUDE CHAIN.

WARNING!

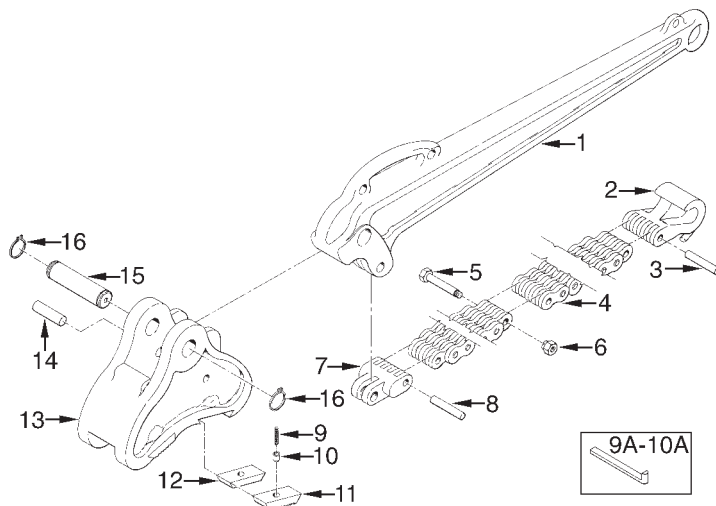
Do Not Exceed Maximum Working Load.
Overloading may result in injury or death.

Always use a load cell or other calibrated indicating device to monitor the line pull on the tong to avoid overload.

Read Safe Practices & Procedures Manual prior to operation.

Follow OSHA, NSC, etc. standards, safe practices, and procedures.

NOTE: SAFE PRACTICES & PROCEDURES MANUAL CAN BE FOUND ON PAGES 1-7 OF THIS CATALOG.



NOTE: PARTS MAY VARY SLIGHTLY AMONG SIZES. CALL FACTORY FOR DETAILS.

KEY NO.	ITEM DESCRIPTION	NO. REQ'D.
1	HANDLE	1
2	CHAIN HOOK	1
3	CHAIN HOOK PIN	1
4	SPECIAL CHAIN ONLY	1
5,6	SPLICE BOLT & NUT	as req'd.
7	MASTER LINK	1
8	MASTER LINK CHAIN PIN	1
9	INSERT KEY SPRING*	4
10	INSERT KEY*	4
11	INSERT	4
12	BLANK INSERT	2
13	JAW	1
14	MASTER LINK HANDLE PIN	1
15,16	JAW PIN W / KLIPRINGS	1

*OLDER MODEL TONGS REQUIRE INSERT PIN (9A-10A) IN PLACE OF INSERT KEY SPRING (9) and INSERT KEY (10).

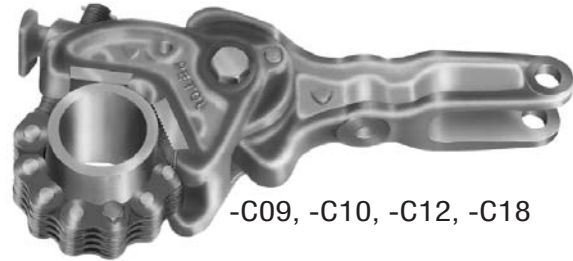
PETOL DRILL PIPE TONGS



DA4174-L08



-L21, -L23, -L28, -L36



-C09, -C10, -C12, -C18

PETOL DRILL PIPE TONGS are designed for making up and breaking out drill pipe, casing, and pneumatic drills on light rigs. These tongs are furnished as original equipment by rig manufacturers because of their ease in handling, quick application, and ability to withstand rugged use.

CATALOG NO.	O.D.*	GRIPPING WIDTH	HANDLE LENGTH**	WEIGHT***	MAXIMUM WORKING LOAD
DA1344	1" – 6"	4"	8"	12 lbs.	5,000 ft.-lbs.
DA2344-C12	2-1/8" – 5"	4.44"	12"	27 lbs.	<i>Torques vary according to O.D. See Torque Tables on pages 72-73</i>
DA2344-L21	2-1/8" – 5"	4.44"	21"	31 lbs.	
DA4174-L08	3" – 8-1/4"	5.00"	8"	40 lbs.	
DA4174-C12	3" – 8-1/4"	5.00"	12"	43 lbs.	
DA4174-L21	3" – 8-1/4"	5.00"	21"	45 lbs.	
DA6184-C10	4-1/4" – 10-3/4"	4.88"	10"	49 lbs.	
DA6184-L36	4-1/4" – 10-3/4"	4.88"	36"	74 lbs.	
DA8184-C09	4" – 14"	7.25"	9"	91 lbs.	
DA8184-C18	4" – 14"	7.25"	18"	120 lbs.	
DA8184-L23	4" – 14"	7.25"	23"	114 lbs.	
DA8184-L28	4" – 14"	7.25"	28"	122 lbs.	
DA8184-L36	4" – 14"	7.25"	36"	129 lbs.	

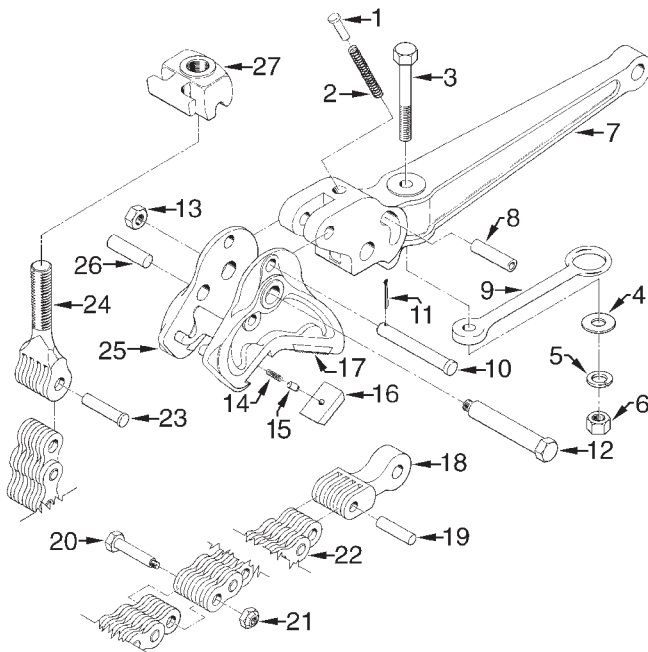
* CHAIN ASSEMBLIES MUST BE ORDERED SEPARATELY. SEE CHAIN SELECTION GUIDE ON PAGE 79-80.

** CALL FACTORY FOR TORQUE ARM LENGTHS.

*** WEIGHTS DO NOT INCLUDE CHAIN.

WARNING!
Do Not Exceed Maximum Working Load.
Overloading may result in injury or death.
Always use a load cell or other calibrated indicating device to monitor the line pull on the tong to avoid overload.
Read Safe Practices & Procedures Manual prior to operation.
Follow OSHA, NSC, etc. standards, safe practices, and procedures.

NOTE: SAFE PRACTICES & PROCEDURES MANUAL CAN BE FOUND ON PAGES 1-7 OF THIS CATALOG.



NOTE: PARTS AND / OR NO. REQ'D. MAY VARY SLIGHTLY AMONG SIZES. CALL FACTORY FOR DETAILS.

KEY NO.	ITEM DESCRIPTION	NO. REQ'D.
1	SPRING GUIDE	1
2	SPRING	1
3,4,5,6	HANGER BOLT & NUT ASSEMBLY	1
7	HANDLE	1
8	SPRING PIN BUSHING	1
9	HANGER	1
10,11	SPRING PIN W / COTTER	1
12,13	JAW BOLT & NUT	1
14	INSERT KEY SPRING	4
15	INSERT KEY	4
16	BLANK INSERT	2
17	INSERT	2
18	MASTER LINK	1
19	MASTER LINK CHAIN PIN	1
20,21	SPLICE BOLT & NUT	as req'd.
22	SPECIAL CHAIN ONLY	1
23	CHAIN SCREW PIN	1
24	CHAIN SCREW	1
25	JAW	1
26	MASTER LINK HANDLE PIN	1
27	CHAIN SCREW NUT	1

PETOL MACHINE TONGS



PETOL MACHINE TONGS provide positive grip in the upward motion and perfect ratcheting in the downward motion. Noncrushing and nonjamming action are features that make this tong outstanding. The MA16HS can be furnished with a 3-4 chain combination for higher torque requirements.

CATALOG NO.	O.D.*	GRIPPING WIDTH	HANDLE LENGTH**	WEIGHT***	MAXIMUM WORKING LOAD
MA15S	2" – 10"	4.00"	28"	37 lbs.	5,000 ft.-lbs.
MA155-16S	3" – 16"	5.00"	32"	54 lbs.	8,950 ft.-lbs.
MA16HS	4" – 16"	5.25"	35"	85 lbs.	11,500 ft.-lbs.
	(2-2 CHAIN COMBINATION)				
MA16HS	4" – 16"	5.25"	35"	85 lbs.	17,500 ft.-lbs.
	(3-4 CHAIN COMBINATION)				

* CHAIN ASSEMBLIES MUST BE ORDERED SEPARATELY. SEE CHAIN SELECTION GUIDE ON PAGES 78-79.

** CALL FACTORY FOR TORQUE ARM LENGTHS.

*** WEIGHTS DO NOT INCLUDE CHAIN.

WARNING!

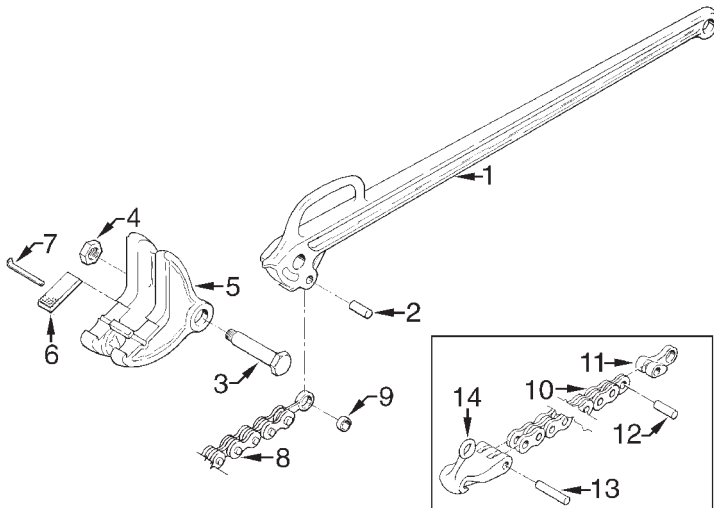
Do Not Exceed Maximum Working Load.
Overloading may result in injury or death.

Always use a load cell or other calibrated indicating device to monitor the line pull on the tong to avoid overload.

Read Safe Practices & Procedures Manual prior to operation.

Follow OSHA, NSC, etc. standards, safe practices, and procedures.

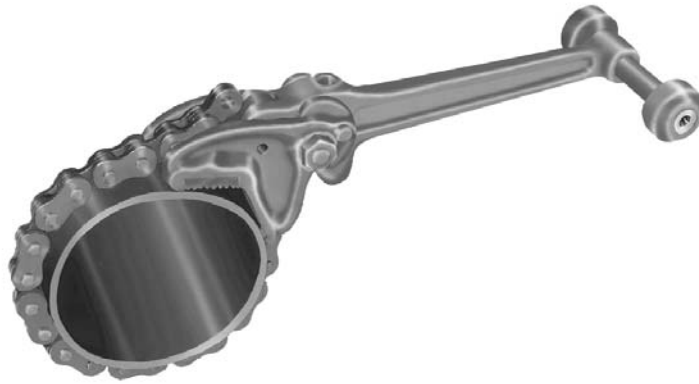
NOTE: SAFE PRACTICES & PROCEDURES MANUAL CAN BE FOUND ON PAGES 1-7 OF THIS CATALOG.



NOTE: PARTS MAY VARY SLIGHTLY AMONG SIZES. CALL FACTORY FOR DETAILS.

KEY NO.	ITEM DESCRIPTION	NO. REQ'D.
1	HANDLE	1
2	MASTER LINK HANDLE PIN	1
3,4	JAW BOLT & NUT	1
5	JAW	1
6	INSERT	2
7	INSERT PIN	1
8	PETOL SPECIAL CHAIN W / MASTER LINK	1
9	MASTER LINK BUSHING	1
10	SPECIAL CHAIN ONLY	1
11	MASTER LINK	1
12	MASTER LINK CHAIN PIN	1
13	CHAIN HOOK PIN	1
14	CHAIN HOOK	1

PETOL STABBING TONGS

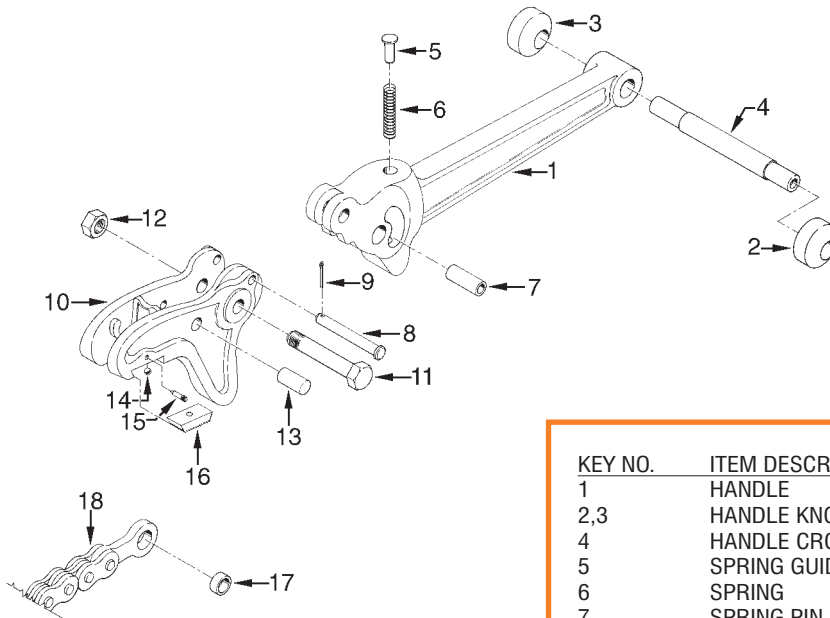


PETOL STABBING TONGS are light, durable tongs used to quickly spin-up pipe or couplings. The tongs are easily applied and removed, and are made in two sizes, providing proper leverage for your job.

CATALOG NO.	O.D.	GRIPPING WIDTH	HANDLE LENGTH	WEIGHT	CHAIN TENSILE STRENGTH
SSA1	1-1/4" – 4"	2.13"	13"	9 lbs.	13,800 lbs.
SSA2	2" – 4"	2.25"	16"	10 lbs.	13,800 lbs.

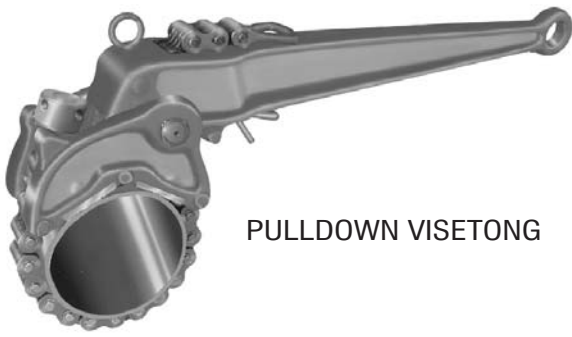
WARNING! Use as a hand tool only. Do Not Strike, use a "cheater" or extend handle. SERIOUS INJURY may result if used improperly.

NOTE: SAFE PRACTICES & PROCEDURES MANUAL CAN BE FOUND ON PAGES 1-7 OF THIS CATALOG.

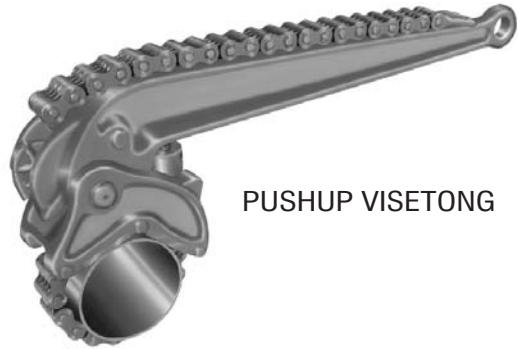


KEY NO.	ITEM DESCRIPTION	NO. REQ'D.
1	HANDLE	1
2,3	HANDLE KNOB	2
4	HANDLE CROSSBAR	1
5	SPRING GUIDE	1
6	SPRING	1
7	SPRING PIN BUSHING	1
8,9	SPRING PIN W / COTTER	1
10	JAW	1
11,12	JAW BOLT & NUT	1
13	MASTER LINK HANDLE PIN	1
14	INSERT KEY	2
15	INSERT PIN	2
16	INSERT	2
17	MASTER LINK BUSHING	1
18	SPECIAL CHAIN W / MASTER LINK	1

PETOL VISETONGS



PULLDOWN VISETONG



PUSHUP VISETONG

PETOL VISETONGS are designed to operate best when large makeup torques are required and when heavy loads are needed to breakout tool joints, drill collars, reamers, and similar heavy jobs. A hydraulic cylinder can be attached to the end of the tong handle.

locking cam lever. Regardless of the load on the handle, these tongs will not jam.

PETOL Visetongs have the unique feature of being easily adjusted to various pipe sizes by simply sliding the heat-treated PETOL Special Chain through the jaw of the tong and engaging the

PETOL Visetongs have minimum crushing effect, and great strength for their weight. Made of high-quality steel, these tongs are equipped with replaceable high-speed steel PETOL Diamond Point Inserts, which minimize marring of pipe surfaces. PETOL Visetongs come in both pushup and pulldown designs.

CATALOG NO.	O.D.*	GRIPPING WIDTH	HANDLE LENGTH	WEIGHT**	MAXIMUM WORKING LOAD
PULLDOWN VISETONGS					
VTDA115H	2" – 8"	5.25"	24"	79 lbs.	14,000 ft.-lbs.
VTDA116H	4" – 14"	7.25"	36"	176 lbs.	50,000 ft.-lbs.
VTDA118	4" – 24"	9.00"	46"	317 lbs.	90,000 ft.-lbs.
VTDA120	6" – 24"	12.63"	36"	575 lbs.	235,000 ft.-lbs.
PUSHUP VISETONGS					
VTUA118	4" – 24"	9.00"	54"	328 lbs.	75,000 ft.-lbs.
VTUA118-L36	4" – 24"	9.00"	36"	294 lbs.	72,000 ft.-lbs.
VTUA120	6" – 24"	12.63"	42"	559 lbs.	182,500 ft. lbs.

* CHAIN ASSEMBLIES MUST BE ORDERED SEPARATELY. SEE CHAIN SELECTION GUIDE ON PAGES 80.
 ** WEIGHTS DO NOT INCLUDE CHAIN.

WARNING!

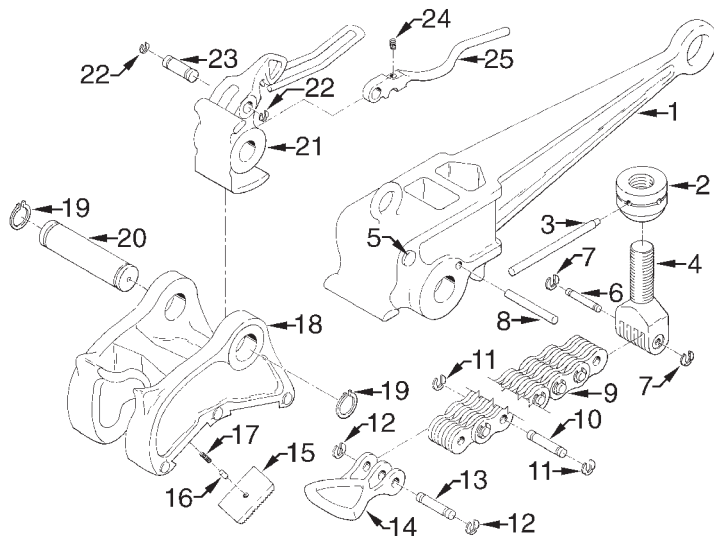
Do Not Exceed Maximum Working Load.
 Overloading may result in injury or death.

Always use a load cell or other calibrated indicating device to monitor the line pull on the tong to avoid overload.

Read Safe Practices & Procedures Manual prior to operation.

Follow OSHA, NSC, etc. standards, safe practices, and procedures.

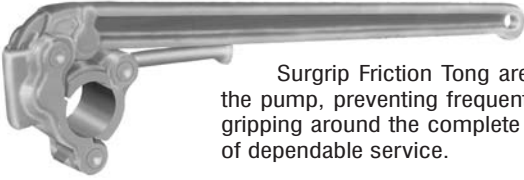
NOTE: SAFE PRACTICES & PROCEDURES MANUAL CAN BE FOUND ON PAGES 1-7 OF THIS CATALOG.



NOTE: PARTS MAY VARY SLIGHTLY AMONG SIZES. CALL FACTORY FOR DETAILS.

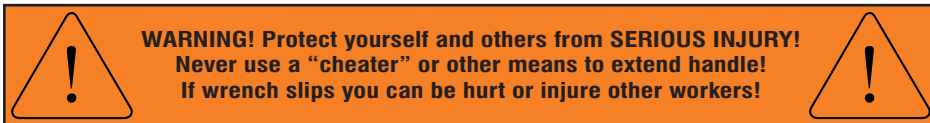
KEY NO.	ITEM DESCRIPTION	NO. REQ'D.
1	HANDLE	1
2	CHAIN SCREW NUT	1
3	CHAIN SCREW NUT LEVER	1
4	CHAIN SCREW	1
5	HANDLE PIN	1
6,7	CHAIN SCREW PIN W / KLIPRINGS	1
8	LATCH PIN	1
9	SPECIAL CHAIN ONLY	1
10	CHAIN PIN	as req'd.
11	CHAIN PIN KLIPRING ONLY	as req'd.
12,13	CHAIN HANDLE PIN W / KLIPRINGS	1
14	CHAIN HANDLE	1
15	INSERT	4
16	INSERT KEY	4
17	INSERT KEY SPRING	4
18	JAW	1
19,20	JAW PIN W / KLIPRINGS	1
21	PAWL	1
22,23	PAWL LATCH RIVET W / KLIPRINGS	1
24	LATCH SPRING	1
25	PAWL LATCH	1

PETOL SURGRIP FRICTION TONGS

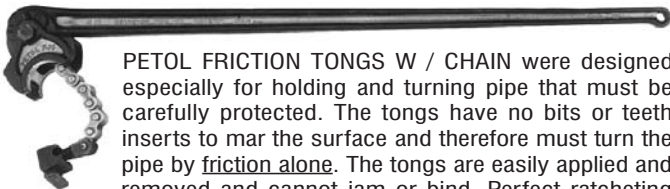


PETOL SURGRIP FRICTION TONGS are designed to make up and breakout pump sections without marring the pump barrel or rod surfaces. Features of the Surgrip Friction Tong are its high quality steel construction, and the ability to ratchet after being applied to the pump, preventing frequent wrench adjustments and removal. Three precision machined jaws provide friction gripping around the complete circumference of the pump. Every piece of the tong is heat-treated to assure years of dependable service.

CATALOG NO.	O.D.	GRIPPING WIDTH	WEIGHT	MAXIMUM WORKING LOAD	CATALOG NO.	O.D.	GRIPPING WIDTH	WEIGHT	MAXIMUM WORKING LOAD
ZT1:0.625	0.625"	2.25"	6-1/2 lbs.	500 ft.-lbs.	ZT3:2.125	2.125"	2.50"	11-1/2 lbs.	2,300 ft.-lbs.
ZT1:0.688	0.688"	2.25"	6-1/2 lbs.	500 ft.-lbs.	ZT3:2.188	2.188"	2.50"	11-1/2 lbs.	2,300 ft.-lbs.
ZT1:0.750	0.750"	2.25"	6-1/2 lbs.	500 ft.-lbs.	ZT3:2.228	2.228"	2.50"	11-1/2 lbs.	2,300 ft.-lbs.
ZT1:0.812	0.812"	2.25"	6-1/2 lbs.	500 ft.-lbs.	ZT3:2.250	2.250"	2.50"	11-1/2 lbs.	2,300 ft.-lbs.
ZT1:0.875	0.875"	2.25"	6-1/2 lbs.	500 ft.-lbs.	ZT3:2.302	2.302"	2.50"	11-1/2 lbs.	2,300 ft.-lbs.
ZT1:0.938	0.938"	2.25"	6-1/2 lbs.	500 ft.-lbs.	ZT3:2.312	2.312"	2.50"	11-1/2 lbs.	2,300 ft.-lbs.
ZT1:0.969	0.969"	2.25"	6-1/2 lbs.	500 ft.-lbs.	ZT3:2.340	2.340"	2.50"	11-1/2 lbs.	2,300 ft.-lbs.
ZT1:1.000	1.000"	2.25"	6-1/2 lbs.	500 ft.-lbs.	ZT3:2.375	2.375"	2.50"	11-1/2 lbs.	2,300 ft.-lbs.
ZT1:1.031	1.031"	2.25"	6-1/2 lbs.	500 ft.-lbs.	ZT4:2.375	2.375"	3.00"	20 lbs.	3,000 ft.-lbs.
ZT1:1.062	1.062"	2.25"	6-1/2 lbs.	500 ft.-lbs.	ZT4:2.500	2.500"	3.00"	20 lbs.	3,000 ft.-lbs.
ZT1:1.125	1.125"	2.25"	6-1/2 lbs.	500 ft.-lbs.	ZT4:2.562	2.562"	3.00"	20 lbs.	3,000 ft.-lbs.
ZT1:1.125H	1.250"	2.25"	6-1/2 lbs.	500 ft.-lbs.	ZT4:2.625	2.625"	3.00"	20 lbs.	3,000 ft.-lbs.
ZT1:1.138	1.138"	2.25"	6-1/2 lbs.	500 ft.-lbs.	ZT4:2.688	2.688"	3.00"	20 lbs.	3,000 ft.-lbs.
ZT1:1.144	1.144"	2.25"	6-1/2 lbs.	500 ft.-lbs.	ZT4:2.750	2.750"	3.00"	20 lbs.	3,000 ft.-lbs.
ZT1:1.188	1.188"	2.25"	6-1/2 lbs.	500 ft.-lbs.	ZT4:2.812	2.812"	3.00"	20 lbs.	3,000 ft.-lbs.
ZT1:1.250	1.250"	2.25"	6-1/2 lbs.	500 ft.-lbs.	ZT4:2.875	2.875"	3.00"	20 lbs.	3,000 ft.-lbs.
ZT2:1.312	1.312"	2.50"	10-1/2 lbs.	1,200 ft.-lbs.	ZT5:3.000	3.000"	3.50"	45 lbs.	4,500 ft.-lbs.
ZT2:1.375	1.375"	2.50"	10-1/2 lbs.	1,200 ft.-lbs.	ZT5:3.062	3.062"	3.50"	45 lbs.	4,500 ft.-lbs.
ZT2:1.438	1.438"	2.50"	10-1/2 lbs.	1,200 ft.-lbs.	ZT5:3.125	3.125"	3.50"	45 lbs.	4,500 ft.-lbs.
ZT2:1.500	1.500"	2.50"	10-1/2 lbs.	1,200 ft.-lbs.	ZT5:3.200	3.200"	3.50"	45 lbs.	4,500 ft.-lbs.
ZT2:1.625	1.625"	2.50"	10-1/2 lbs.	1,200 ft.-lbs.	ZT5:3.250	3.250"	3.50"	45 lbs.	4,500 ft.-lbs.
ZT2:1.688	1.688"	2.50"	10-1/2 lbs.	1,200 ft.-lbs.	ZT5:3.375	3.375"	3.50"	45 lbs.	4,500 ft.-lbs.
ZT2:1.750	1.750"	2.50"	10-1/2 lbs.	1,200 ft.-lbs.	ZT5:3.500	3.500"	3.50"	45 lbs.	4,500 ft.-lbs.
ZT3:1.625	1.625"	2.50"	11-1/2 lbs.	2,300 ft.-lbs.	ZT5:3.625	3.625"	3.50"	45 lbs.	4,500 ft.-lbs.
(for rod couplings)					ZT5:3.688	3.688"	3.50"	45 lbs.	4,500 ft.-lbs.
ZT3:1.750	1.750"	2.50"	11-1/2 lbs.	2,300 ft.-lbs.	ZT5:3.750	3.750"	3.50"	45 lbs.	4,500 ft.-lbs.
ZT3:1.812	1.812"	2.50"	11-1/2 lbs.	2,300 ft.-lbs.	ZT5:3.875	3.875"	3.50"	45 lbs.	4,500 ft.-lbs.
ZT3:1.875	1.875"	2.50"	11-1/2 lbs.	2,300 ft.-lbs.	ZT5:4.000*	4.000"	3.50"	45 lbs.	4,500 ft.-lbs.
ZT3:1.938	1.938"	2.50"	11-1/2 lbs.	2,300 ft.-lbs.					
ZT3:1.960	1.960"	2.50"	11-1/2 lbs.	2,300 ft.-lbs.					
ZT3:2.000	2.000"	2.50"	11-1/2 lbs.	2,300 ft.-lbs.					
ZT3:2.062	2.062"	2.50"	11-1/2 lbs.	2,300 ft.-lbs.					



PETOL FRICTION TONGS W / CHAIN

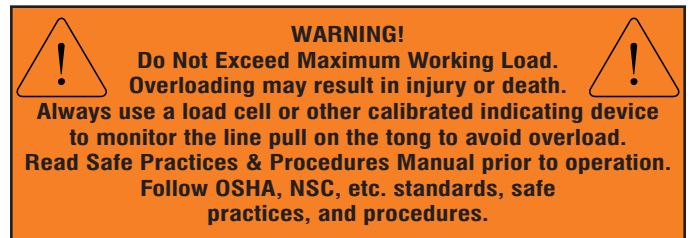


PETOL FRICTION TONGS W / CHAIN were designed especially for holding and turning pipe that must be carefully protected. The tongs have no bits or teeth inserts to mar the surface and therefore must turn the pipe by friction alone. The tongs are easily applied and removed and cannot jam or bind. Perfect ratcheting action and efficient performance are assured. When ordering, make sure to specify the exact O.D. on which the tongs are to be used.

CATALOG NO.	O.D.	HANDLE LENGTH	GRIPPING WIDTH	WEIGHT	MAXIMUM WORKING LOAD
FA3:3.000	3.000"	51"	4.31"	50 lbs.	10,000 ft.-lbs.
FA3:3.125	3.125"	51"	4.31"	50 lbs.	10,000 ft.-lbs.
FA3:3.250	3.250"	51"	4.31"	50 lbs.	10,000 ft.-lbs.
FA3:3.500	3.500"	51"	4.31"	50 lbs.	10,000 ft.-lbs.
FA3:3.625	3.625"	51"	4.31"	50 lbs.	10,000 ft.-lbs.
FA3:3.750	3.750"	51"	4.31"	50 lbs.	10,000 ft.-lbs.
FA3:4.000	4.000"	51"	4.31"	50 lbs.	10,000 ft.-lbs.
FA4:4.000	4.000"	46"	4.31"	54 lbs.	12,500 ft.-lbs.
FA4:4.125	4.125"	46"	4.31"	54 lbs.	12,500 ft.-lbs.
FA4:4.250	4.250"	46"	4.31"	54 lbs.	12,500 ft.-lbs.
FA4:4.500	4.500"	46"	4.31"	54 lbs.	12,500 ft.-lbs.
FA4:4.750	4.750"	46"	4.31"	54 lbs.	12,500 ft.-lbs.

CATALOG NO.	O.D.	HANDLE LENGTH	GRIPPING WIDTH	WEIGHT	MAXIMUM WORKING LOAD
FA4:5.000	5.000"	46"	4.31"	54 lbs.	12,500 ft.-lbs.
FA4:5.375	5.375"	46"	4.31"	54 lbs.	12,500 ft.-lbs.
FAS4:4.000	4.000"	28"	4.31"	45 lbs.	12,500 ft.-lbs.
FAS4:4.125	4.125"	28"	4.31"	45 lbs.	12,500 ft.-lbs.
FAS4:4.250	4.250"	28"	4.31"	45 lbs.	12,500 ft.-lbs.
FAS4:4.500	4.500"	28"	4.31"	45 lbs.	12,500 ft.-lbs.
FAS4:4.750	4.750"	28"	4.31"	45 lbs.	12,500 ft.-lbs.
FAS4:5.000	5.000"	28"	4.31"	45 lbs.	12,500 ft.-lbs.
FAS4:5.375	5.375"	28"	4.31"	45 lbs.	12,500 ft.-lbs.

SPECIAL O.D. SIZES AVAILABLE UPON REQUEST. **SPECIAL SIZES ARE NON-RETURNABLE.**



NOTE: SAFE PRACTICES & PROCEDURES MANUAL CAN BE FOUND ON PAGES 1-7 OF THIS CATALOG.