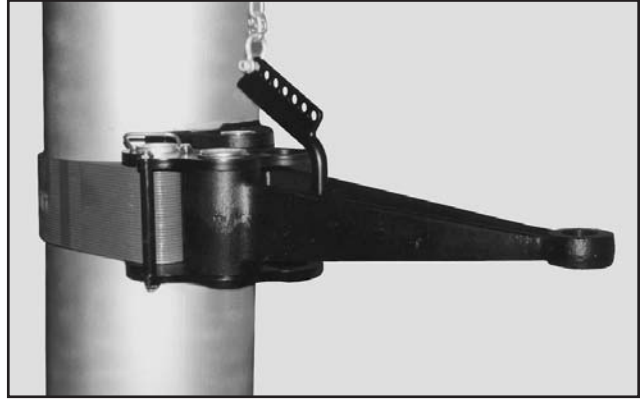


PETOL SURGRIP CASING TONGS *Patent #7,275,463*

The PETOL SURGRIP CASING TONGS' innovative design and utilization of a technologically advanced belt provide features that are truly amazing. This lightweight belt is actually stronger than chain – and you don't have to worry about rust or corrosion. While torque will vary according to diameter, it can deliver up to 163,000 ft.-lbs. of torque on 72" O.D. pipe. One of the most important features of the belt is that it will not come apart, even when it's broken. Although all tongs are safe when used properly, this feature offers added safety in that there are no "flying" parts if the tong is overtorqued.

The PETOL SURGRIP CASING TONGS are available in five sizes with belts to accommodate pipe sizes from 6" to 72" O.D.

PETOL SURGRIP CASING TONGS are extremely easy to use. The light weight of the belt, an adjustable hanger that keeps the tong in perfect balance for easy application and ratcheting, and a pin that quickly latches and unlatches the belt, combine to make operating the tong a snap. In fact, it's so easy only two rig personnel are required.



Lightweight belt can deliver up to 163,000 ft.-lbs. of torque.

Each tong comes equipped with two PETOL Diamond Point Inserts which can be quickly changed out when necessary. The SCT1020, SCT1020H and SCT2036 tongs can be adjusted to grip the main body of the pipe or the pipe upset as needed.

Prior to shipment, every PETOL Surgrip Casing Tong is magnetic particle inspected, load tested, and magnetic particle inspected again.

A product video can be downloaded from www.gearench.com.

CATALOG NO.	O.D.*	GRIPPING WIDTH	HANDLE LENGTH	WEIGHT**	MAXIMUM WORKING LOAD
SCT614H	6" – 14"	13.75"	33"	424 lbs.	<i>Torques vary according to O.D.</i>
SCT1020	9-5/8" – 20"	9.50"	36"	196 lbs.	<i>See Torque Table with Belt Selection on page 70</i>
SCT1020H	9-5/8" – 20"	13.75"	33"	398 lbs.	
SCT2036	18" – 38"	12.00"	33"	320 lbs.	
SCT3672	36" – 72"	14.50"	33"	387 lbs.	

* BELTS MUST BE ORDERED SEPARATELY.

** WEIGHTS DO NOT INCLUDE BELT.

NOTE: SAFE PRACTICES & PROCEDURES AND TORQUE ARM LENGTHS ARE INCLUDED IN THE DATA BOOK FURNISHED WITH EACH PETOL SURGRIP CASING TONG. TO REQUEST A COPY CALL: (254)675-8651

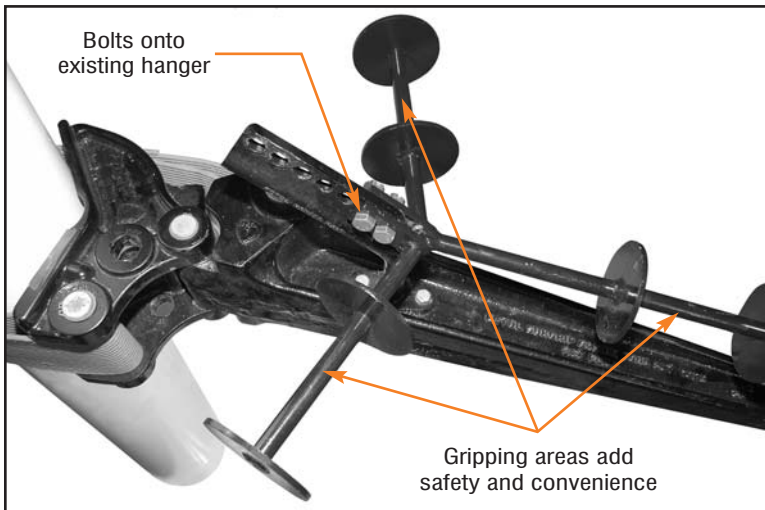
WARNING!

Do Not Exceed Maximum Working Load. Overloading may result in injury or death.

Always use a load cell or other calibrated indicating device to monitor the line pull on the tong to avoid overload.

Read safe practices & procedures in Data Book prior to operation. Do not operate without a Data Book.

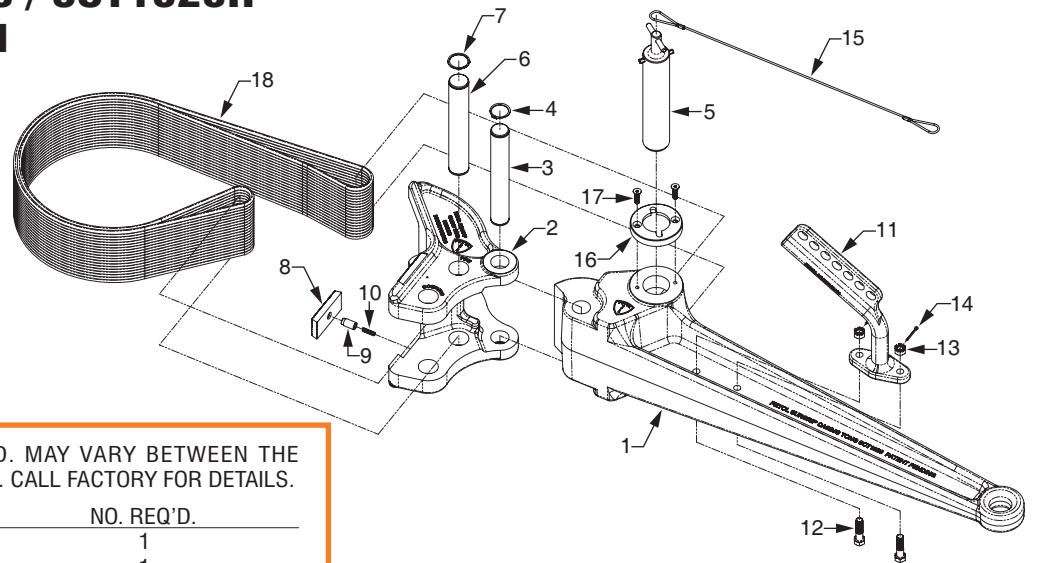
Follow OSHA, NSC, etc. standards, safe practices, & procedures.



"Handy Grip" Handles are available as an accessory to the PETOL Surgrip Casing Tongs. Using the handle provides the crew with added safety and convenience when operating the tong. "Handy Grip" Handles must be ordered separately and include bolts and nuts for attachment to the tong.

CATALOG NO.	FITS TONG SIZES	WEIGHT
SCTG	SCT1020, SCT1020H, SCT2036, SCT3672	17 lbs.
SCTG614H	SCT614H	17-1/4 lbs.

SCT614H / SCT1020 / SCT1020H PARTS BREAKDOWN



NOTE: PARTS AND/OR NO. REQ'D. MAY VARY BETWEEN THE SCT614H, SCT1020 AND SCT1020H. CALL FACTORY FOR DETAILS.

KEY NO.	ITEM DESCRIPTION	NO. REQ'D.
1	HANDLE	1
2	JAW	1
3,4	JAW PIN w/KLIPRINGS	1
5	LATCH PIN	1
6,7	MASTER PIN w/KLIPRINGS	1
8	INSERT	2
9	INSERT KEY	2
10	INSERT KEY SPRING	2
11	HANGER	1
12,13,14	HANGER BOLT & NUT w/COTTER	2
15	LANYARD	1
16	LOCKING CAP	2
17	LOCKING CAP SCREW	4
18	BELT	1

SCT2036 / SCT3672 PARTS BREAKDOWN

NOTE: NO. REQ'D. FOR SOME PARTS VARIES BETWEEN THE SCT2036 AND SCT3672. CALL FACTORY FOR DETAILS.

KEY NO.	ITEM DESCRIPTION	NO. REQ'D.
1	HANDLE	1
2	JAW	1
3,4	JAW PIN w/KLIPRINGS	1
5	INSERT	2
6	INSERT KEY	2
7	INSERT KEY SPRING	2
8	YOKE PLATE	2
9,10,11	YOKE GRIP w/NUTS & COTTERS	2
12,13	YOKE HANDLE PIN w/KLIPRINGS	1
14	LOCKING CAP	2
15	LOCKING CAP SCREW	6
16	LATCH PIN	1
17	HANGER	1
18,19,20	HANGER BOLT & NUT w/COTTER	2
21	LANYARD	1
22	BELT	1

